



IFI S.p.A.  
Strada Selva Grossa, 28/30  
61010 TAVULLIA (Pesaro) - Italy  
Tel. +39 0721 20021  
Fax +39 0721 201773  
www.ifi.it - info@ifi.it

Capitale Sociale € 1.756.100,00 i. v.  
Codice Fiscale 01061630412  
Reg. Imprese di Pesaro n. 01061630412  
Partita IVA CEE IT 01061630412  
Cod. Mecc. PS 005075  
R.E.A. PS 105724

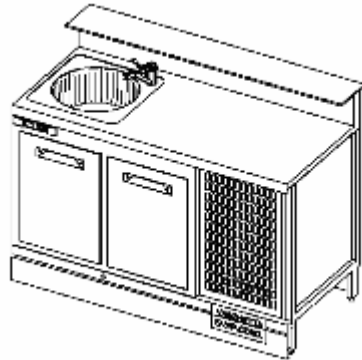
INDUSTRIEIFI

**Offer/proforma:** 000503384  
**"ORBI GINZA" LLC**  
**Identification Code: 445515675**  
**Batumi Orbi Tower Ginza Restaurant 34L**

**dt:** 18/07/2018

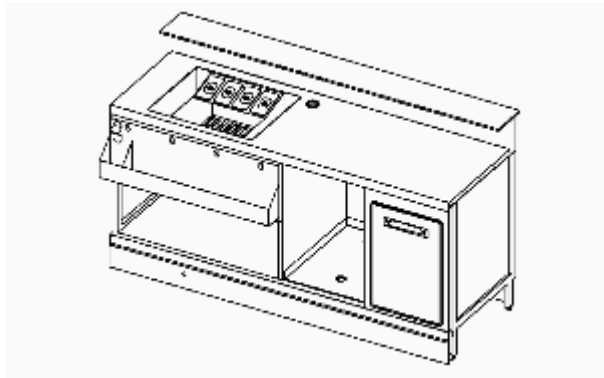
**Messrs.:**  
**BB COMPANY**  
**26 KOSTAVA STREET**  
**0179 TBILISI (GEORGIA) GE**

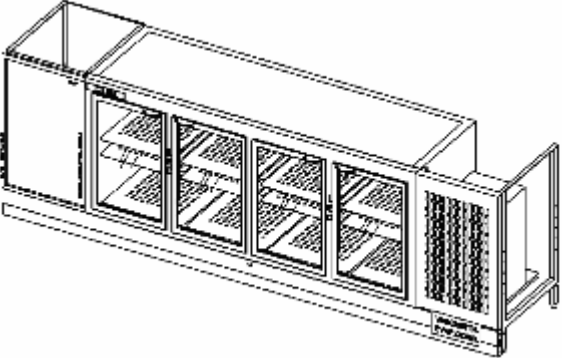
**Model: SP WITHOUT CLADDING, WITHOUT END PANELS, WITHOUT PLINTHS.**  
**BACK BASES D.63. KICK TRIM OPERATOR SIDE.**



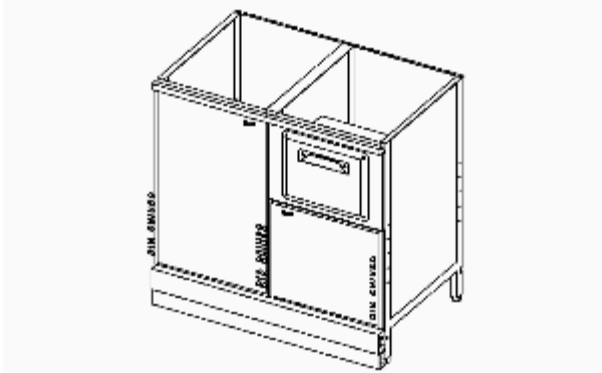
| Code         | description  | UM | Q.TY | unit price | total |
|--------------|--|----|------|------------|-------|
| <b>NBB</b>   | BAR COUNTER:   | PZ | 1,00 |            |       |
| NBB070150113 | "L.1500 - D.688/733 - H.1131/1151 mm.<br>Tubular steel frame with adjustable legs. "                   | PZ | 1,00 |            |       |
|              | Support for marble/granite/agglomerate countertop: L.1500 mm   | PZ | 1,00 |            |       |
|              | Long lever tap   | PZ | 1,00 |            |       |
|              | REFRIGERATED STORAGE TECHNICAL DATA:   | PZ | 1,00 |            |       |
|              | <i>CE CERTIFICATION<br/>WITHOUT LIGHTING<br/>VENTILATED EVAPORATOR<br/>NORMAL TEMP. (+4°+8°)(+14°)</i> |    |      |            |       |
|              | Set of 4 racks   | PZ | 2,00 |            |       |
|              | Stainless steel door for H.770 mm refrigerated storage   | PZ | 1,00 |            |       |
|              | <i>CE CERTIFICATION<br/>LEFT OPENING</i>   |    |      |            |       |
|              | Plastic-coated wire-grid   | PZ | 2,00 |            |       |
|              | Stainless steel door for H.770 mm refrigerated storage   | PZ | 1,00 |            |       |
|              | <i>CE CERTIFICATION<br/>RIGHT OPENING</i>  |    |      |            |       |
|              | Technical compartment for condenser unit   | PZ | 1,00 |            |       |
|              | <i>CE CERTIFICATION<br/>BRIGHT STAINLESS STEEL</i>   |    |      |            |       |
|              | CONDENSING UNIT:   | PZ | 1,00 |            |       |

| Code         | description  | UM | Q.TY        | unit price | total |
|--------------|--|----|-------------|------------|-------|
|              | CE CERTIFICATION<br>BUILT-IN MOTOR UC<br>AIR CONDENSATION<br>BRIGHT STAINLESS STEEL<br>VENTILATED EVAPORATOR<br>NORMAL TEMP. (+4 °+8 °)(+14 °)<br>V/HZ 230/1/50  |    |             |            |       |
|              | Condensation evaporation trav  | PZ | 1,00        |            |       |
| NTX068150019 | Worktop in AISI 304 18/10 stainless steel with Scotch-Brite finish<br>- without drip - L.1500 - D.689 - H.20 mm  | PZ | 1,00        |            |       |
|              | Round sink with drain welded on stainless steel top - Ø 420 H 170<br>mm  | PZ | 1,00        |            |       |
|              | Localized drip for sink on stainless steel worktop: 495x495 mm   | PZ | 1,00        |            |       |
| <b>NBB</b>   | <b>BAR COUNTER:</b>  | PZ | <b>1,00</b> |            |       |
| NBB070200113 | "L.2000 - D.688/733 - H.1131/1151 mm.<br>Tubular steel frame with adjustable legs "  | PZ | 1,00        |            |       |
|              | Support for marble/granite/agglomerate countertop: L.2000 mm   | PZ | 1,00        |            |       |
|              | COCKTAIL WELDED TANK with container for ice, properly<br>insulated with a bottom grille, and internal partitions for bottles,<br>fitted with drain and removable, cocktail garnish tubs (4<br>gastronorm 1/9 tubs). On the cocktail server's side, a removable<br>bottle rack with partition for corks | PZ | 1,00        |            |       |
|              | Hole for soda gun  | PZ | 1,00        |            |       |
|              | Swing-in hopper  | PZ | 1,00        |            |       |
| NTX068200019 | Worktop in AISI 304 18/10 stainless steel with Scotch-Brite finish<br>- without drip - L.2000 - D.689 - H.20 mm  | PZ | 1,00        |            |       |



|   | Code         | description  | UM | Q.TY | unit price | total |
|---|--------------|--|----|------|------------|-------|
|  | NUB063300097 | "L.3000 - D.641/670 - H.969/1000 mm.<br>Tubular steel frame with adjustable lens "   | PZ | 1,00 |            |       |
|   |              | Shelf in metal sheet painted in polyester powder - L.3000 mm   | PZ | 1,00 |            |       |
|   |              | Door - L.500 - H.774 mm<br><i>S/S DOORS<br/>LEFT OPENING</i>   | PZ | 1,00 |            |       |
|   |              | Side closure panel in metal sheet, painted in polyester powder   | PZ | 1,00 |            |       |
|   |              | CONDENSING UNIT:<br><i>CE CERTIFICATION<br/>BUILT-IN MOTOR UC<br/>AIR CONDENSATION<br/>BRIGHT STAINLESS STEEL<br/>VENTILATED EVAPORATOR<br/>NORMAL TEMP. (+4 °+8 °)(+14 °)<br/>V/HZ 230/1/50</i> | PZ | 1,00 |            |       |
|   |              | Condensation evaporation trav  | PZ | 1,00 |            |       |
|   |              | REFRIGERATED STORAGE TECHNICAL DATA:<br><i>CE CERTIFICATION<br/>WITH LIGHTING<br/>VENTILATED EVAPORATOR<br/>NORMAL TEMP. (+4 °+8 °)(+14 °)</i>   | PZ | 1,00 |            |       |
|   |              | LED lighting available inside refrigerated storage   | PZ | 1,00 |            |       |
|   |              | Set of 4 racks   | PZ | 4,00 |            |       |
|   |              | Stainless steel plated wire-grid   | PZ | 6,00 |            |       |
|   |              | Stainless steel base grid for refrigerated storage   | PZ | 3,00 |            |       |
|   |              | Glass door for H.850 mm refrigerated storage<br><i>CE CERTIFICATION<br/>LEFT OPENING</i>   | PZ | 2,00 |            |       |
|   |              | Compensator for additional stainless steel plated wire-grid  | PZ | 6,00 |            |       |
|   |              | Glass door for H.850 mm refrigerated storage<br><i>CE CERTIFICATION<br/>RIGHT OPENING</i>  | PZ | 2,00 |            |       |
|   |              | Stainless steel plated wire-grid   | PZ | 2,00 |            |       |

| Code                | description  | UM | Q.TY        | unit price | total |
|---------------------|--|----|-------------|------------|-------|
|                     | Stainless steel base arid for refriagerated storage                                | PZ | 1,00        |            |       |
|                     | LED lightina available inside refriagerated storage                                | PZ | 2,00        |            |       |
| <b>NUB063100097</b> | "L.1000 - D.641/670 - H.969/1000 mm.<br>Tubular steel frame with adjustable lens " | PZ | <b>1,00</b> |            |       |
|                     | Shelf in metal sheet painted in polyester powder - L.3000 mm                       | PZ | 2,00        |            |       |
|                     | Door - L.500 - H.774 mm<br><i>S/S DOORS<br/>LEFT OPENING</i>                       | PZ | 1,00        |            |       |
|                     | Side closure panel in metal sheet, painted in polyester powder                     | PZ | 4,00        |            |       |
|                     | Swinaina hopper for coffee arounds<br><i>S/S DOORS</i>                             | PZ | 1,00        |            |       |
|                     | Door - L.500 - H.428 mm<br><i>S/S DOORS<br/>RIGHT OPENING</i>                      | PZ | 1,00        |            |       |
| <b>IMB</b>          | PACKAGING:   | PZ | <b>1,00</b> |            |       |
|                     | PACKAGING - 2124-0911H1367   | PZ | 1,00        |            |       |
|                     | PACKAGING - 1124-0911H1367   | PZ | 1,00        |            |       |
|                     | PACKAGING - 3124-0911H1367   | PZ | 1,00        |            |       |
|                     | PACKAGING - 1624-0911H1367   | PZ | 1,00        |            |       |



| Code | description  | UM | Q.TY | unit price | total     |
|------|--------------|----|------|------------|-----------|
|      | TOTAL AMOUNT |    |      | EUR        | 26.099,00 |

## Supply conditions

Prices Validity 26/07/2018

Total Amount: 26.099,00 Euro

Discount 40%: 10.439,60 Euro

Total Net Amount Ex Work Italy : 15.659,40 Euro

## Included:

Bar design

Technical drawings

Bar equipment Installation

Warranty 1 year

Personal Training and start up

## Excluded:

Transport

Custom Clearance

VAT

Container discharging and warehousing

Bar covering panels and granit or marble tops

Water supplying and drenage system installatioin

Pipes and electrical wiring

N.ro ordine

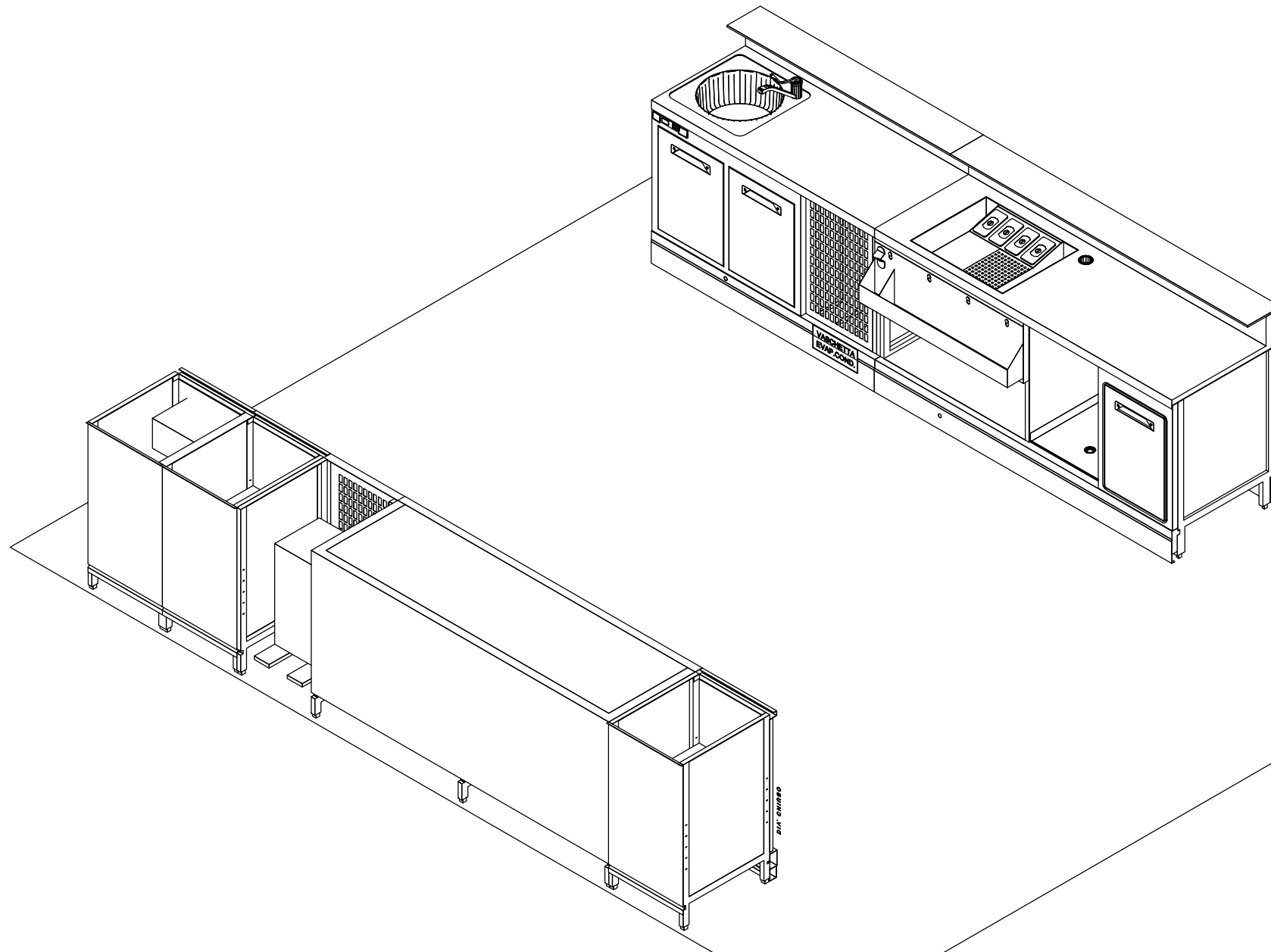
Data : 26/06/18

0000503384

Rif : HOTEL BATUMI 34L

Cliente : BB COMPANY

Modello : SP



N.ro ordine

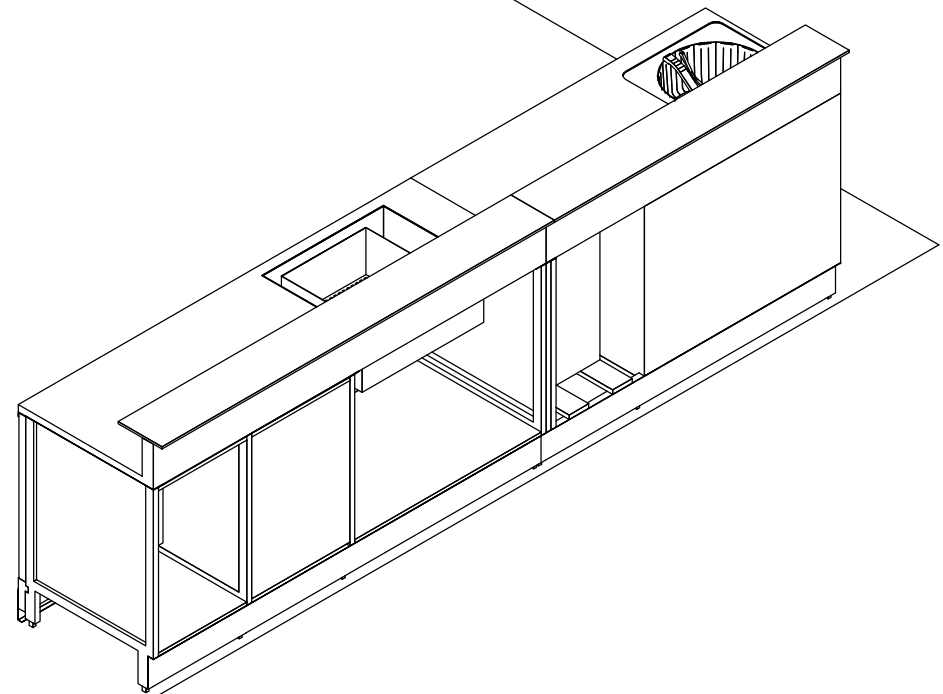
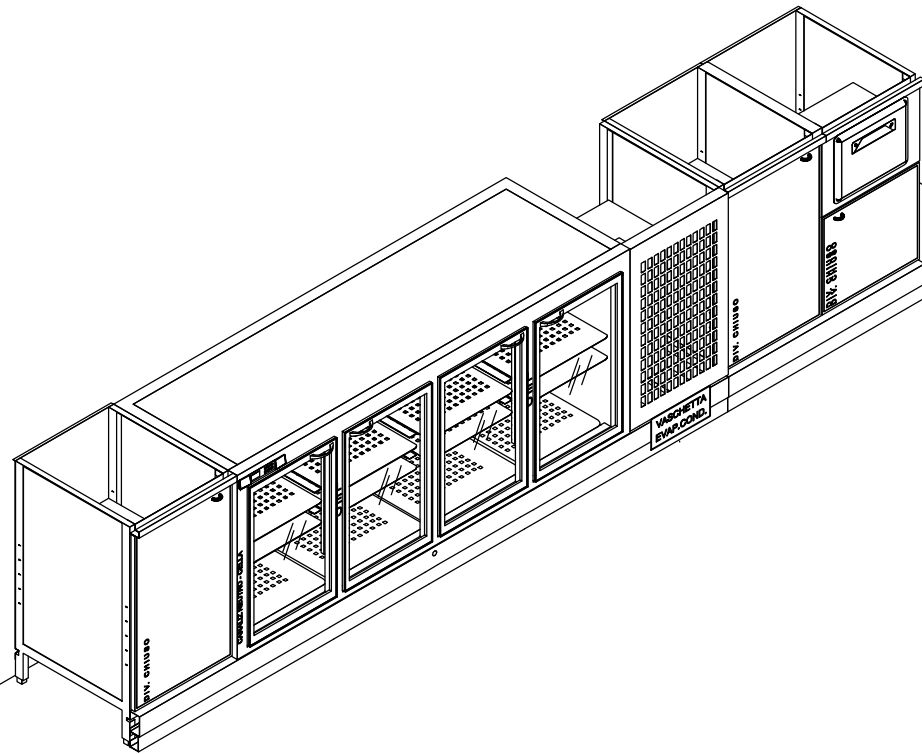
Data : 26/06/18

0000503384

Rif : HOTEL BATUMI 34L

Cliente : BB COMPANY

Modello : SP



N.ro ordine

0000503384

Data : 26/06/18

Rif : HOTEL BATUMI 34L

Cliente : BB COMPANY

Modello : SP

