



IFI S.p.A.
 Strada Selva Grossa, 28/30
 61010 TAVULLIA (Pesaro) - Italy
 Tel. +39 0721 20021
 Fax +39 0721 201773
 www.ifi.it - info@ifi.it

Capitale Sociale € 1.756.100,00 i. v.
 Codice Fiscale 01061630412
 Reg. Imprese di Pesaro n. 01061630412
 Partita IVA CEE IT 01061630412
 Cod. Mecc. PS 005075
 R.E.A. PS 105724

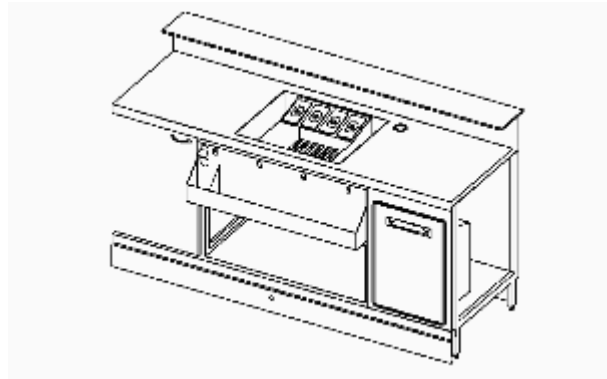
INDUSTRIEIFI

Offer/proforma: 000503407
"ORBI GINZA" LLC
Identification Code: 445515675
Batumi Orbi Tower Ginza Restaurant 32L

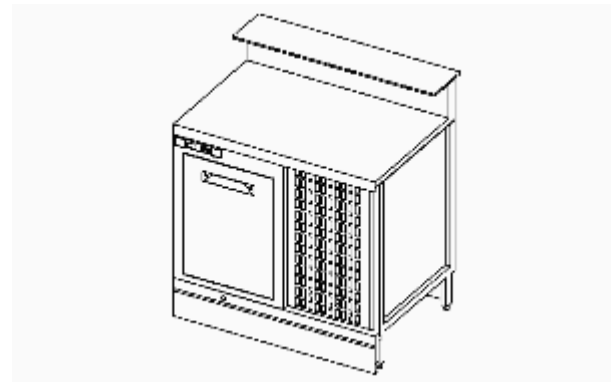
dt: 18/07/2018

Messrs.:
BB COMPANY
29 CATHOLICOS ABRAHAM I STREET
0178 TBILISI (GEORGIA) GE

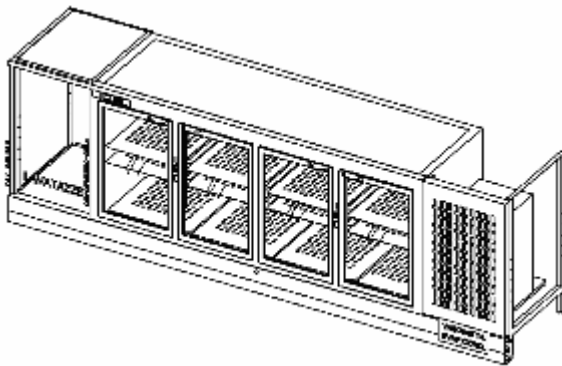
Model: SP WITHOUT CLADDING, WITHOUT END PANELS, WITHOUT PLINTHS.
BACK BASES D.63. KICK TRIM OPERATOR SIDE. Code

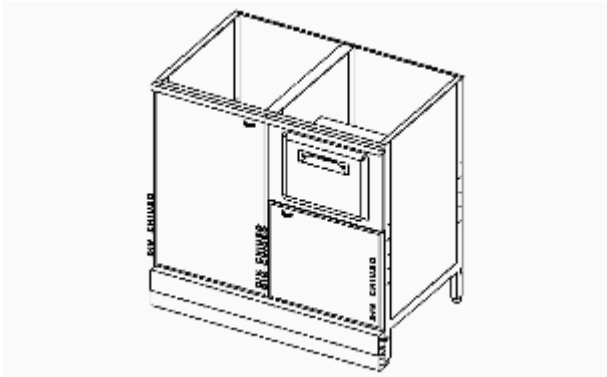
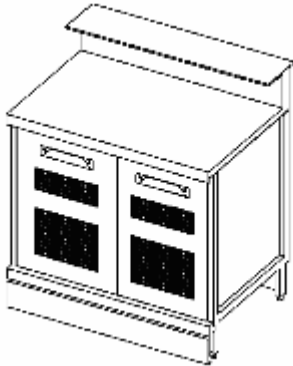


	description	UM	Q.TY	unit price	total
NBB	BAR COUNTER:	PZ	1,00		
NBB070200113	"L.2000 - D.688/733 - H.1131/1151 mm. Tubular steel frame with adjustable legs "	PZ	1,00		
	Support for marble/granite/agglomerate countertop: L.2000 mm	PZ	1,00		
	Back base unit with with bottom and shelf - L.3000 mm	PZ	1,00		
	Stainless steel door for open compartment	PZ	1,00		
	<i>LEFT OPENING</i>				
	COCKTAIL WELDED TANK with container for ice, properly insulated with a bottom grille, and internal partitions for bottles, fitted with drain and removable, cocktail garnish tubs (4 gastronorm 1/9 tubs). On the cocktail server's side, a removable bottle rack with partition for corks	PZ	1,00		
	Hole for soda gun	PZ	1,00		
	Swinaina hopper	PZ	1,00		
	Long lever tap	PZ	1,00		
	CUSTOMIZED PRODUCT:	PZ	1,00		
	** S/S TOP BB 200 WITH SINK D.36 AND COCKTAIL STATION L.100				



Code	description	UM	Q.TY	unit price	total
NBB	BAR COUNTER:	PZ	1,00		
NBB070100113	"L.1000 - D.688/733 - H.1131/1151 mm. Tubular steel frame with adjustable legs "	PZ	1,00		
	Support for marble/granite/agglomerate countertop: L.1000 mm	PZ	1,00		
	REFRIGERATED STORAGE TECHNICAL DATA:	PZ	1,00		
	<i>CE CERTIFICATION WITHOUT LIGHTING VENTILATED EVAPORATOR LOW TEMPERATURE (-12°-20°)</i>				
	Set of 4 racks	PZ	1,00		
	Stainless steel door for H.770 mm refrigerated storage	PZ	1,00		
	<i>CE CERTIFICATION RIGHT OPENING</i>				
	Plastic-coated wire-grid	PZ	1,00		
	Technical compartment for condenser unit	PZ	1,00		
	<i>CE CERTIFICATION BRIGHT STAINLESS STEEL</i>				
	CONDENSING UNIT:	PZ	1,00		
	<i>CE CERTIFICATION BUILT-IN MOTOR UC AIR CONDENSATION BRIGHT STAINLESS STEEL VENTILATED EVAPORATOR LOW TEMPERATURE (-12°-20°) V/HZ 230/1/50</i>				
NTX068100019	Worktop in AISI 304 18/10 stainless steel with Scotch-Brite finish - without drip - L.1000 - D.689 - H.20 mm	PZ	1,00		

	Code	description	UM	Q.TY	unit price	total
	NUB063300097	"L.3000 - D.641/670 - H.969/1000 mm. Tubular steel frame with adjustable lens "	PZ	1,00		
		Side closure panel in metal sheet, painted in polyester powder	PZ	1,00		
		CONDENSING UNIT:	PZ	1,00		
		<i>CE CERTIFICATION</i> <i>BUILT-IN MOTOR UC</i> <i>AIR CONDENSATION</i> <i>BRIGHT STAINLESS STEEL</i> <i>VENTILATED EVAPORATOR</i> <i>NORMAL TEMP. (+4° +8°)(+14°)</i> <i>V/HZ 230/1/50</i>				
		Condensation evaporation trav	PZ	1,00		
		REFRIGERATED STORAGE TECHNICAL DATA:	PZ	1,00		
		<i>CE CERTIFICATION</i> <i>WITH LIGHTING</i> <i>VENTILATED EVAPORATOR</i> <i>NORMAL TEMP. (+4° +8°)(+14°)</i>				
		LED lighting available inside refrigerated storage	PZ	1,00		
		Set of 4 racks	PZ	4,00		
		Stainless steel plated wire-grid	PZ	6,00		
		Stainless steel base grid for refrigerated storage	PZ	3,00		
		Glass door for H.850 mm refrigerated storage <i>CE CERTIFICATION</i> <i>LEFT OPENING</i>	PZ	2,00		
		Compensator for additional stainless steel plated wire-grid	PZ	6,00		
		Glass door for H.850 mm refrigerated storage <i>CE CERTIFICATION</i> <i>RIGHT OPENING</i>	PZ	2,00		
		Stainless steel plated wire-grid	PZ	2,00		
		Stainless steel base grid for refrigerated storage	PZ	1,00		
		LED lighting available inside refrigerated storage	PZ	2,00		

	Code	description	UM	Q.TY	unit price	total
	NUB063100097	"L.1000 - D.641/670 - H.969/1000 mm. Tubular steel frame with adjustable legs "	PZ	1,00		
		Shelf in metal sheet painted in polyester powder - L.3000 mm	PZ	2,00		
		Door - L.500 - H.774 mm <i>S/S DOORS LEFT OPENING</i>	PZ	1,00		
		Side closure panel in metal sheet, painted in polyester powder	PZ	4,00		
		Swinaina hopper for coffee grounds <i>S/S DOORS</i>	PZ	1,00		
		Door - L.500 - H.428 mm <i>S/S DOORS RIGHT OPENING</i>	PZ	1,00		
		NBI070100113	BEER COUNTER: L.1000 - D.728 - H.1131 mm	PZ	1,00	
		AISI 304 stainless steel top with Scotch-Brite finish: L.1000 mm	PZ	1,00		
		Support for marble/granite/agglomerate countertop: L.1000 mm	PZ	1,00		
		"Tubular steel frame with adjustable legs. Backboard and sides in plastic-coated plate. Drip tray in AISI 304 stainless steel with 2B finish, equipped with drainage system with 1/2"" attachment and stainless steel grids. Two stainless steel doors with BA polished finish."	PZ	1,00		
	IMB	PACKAGING:	PZ	1,00		
	PACKAGING - 2124-0911H1367	PZ	1,00			
	PACKAGING - 1124-0911H1367	PZ	3,00			
	PACKAGING - 3124-0911H1367	PZ	1,00			

Code	description	UM	Q.TY	unit price	total
	TOTAL AMOUNT			EUR	29.414,00

Supply conditions

Prices Validity 26/07/2018

Total Amount: 29.414,00 Euro

Discount 40%: 11.765,60 Euro

Total Net Amount Ex Work Italy : 17.648.40 Euro

Included:

Bar design

Technical drawings

Bar equipment Installation

Warranty 1 year

Personal Training and start up

Excluded:

Transport

Custom Clearance

VAT

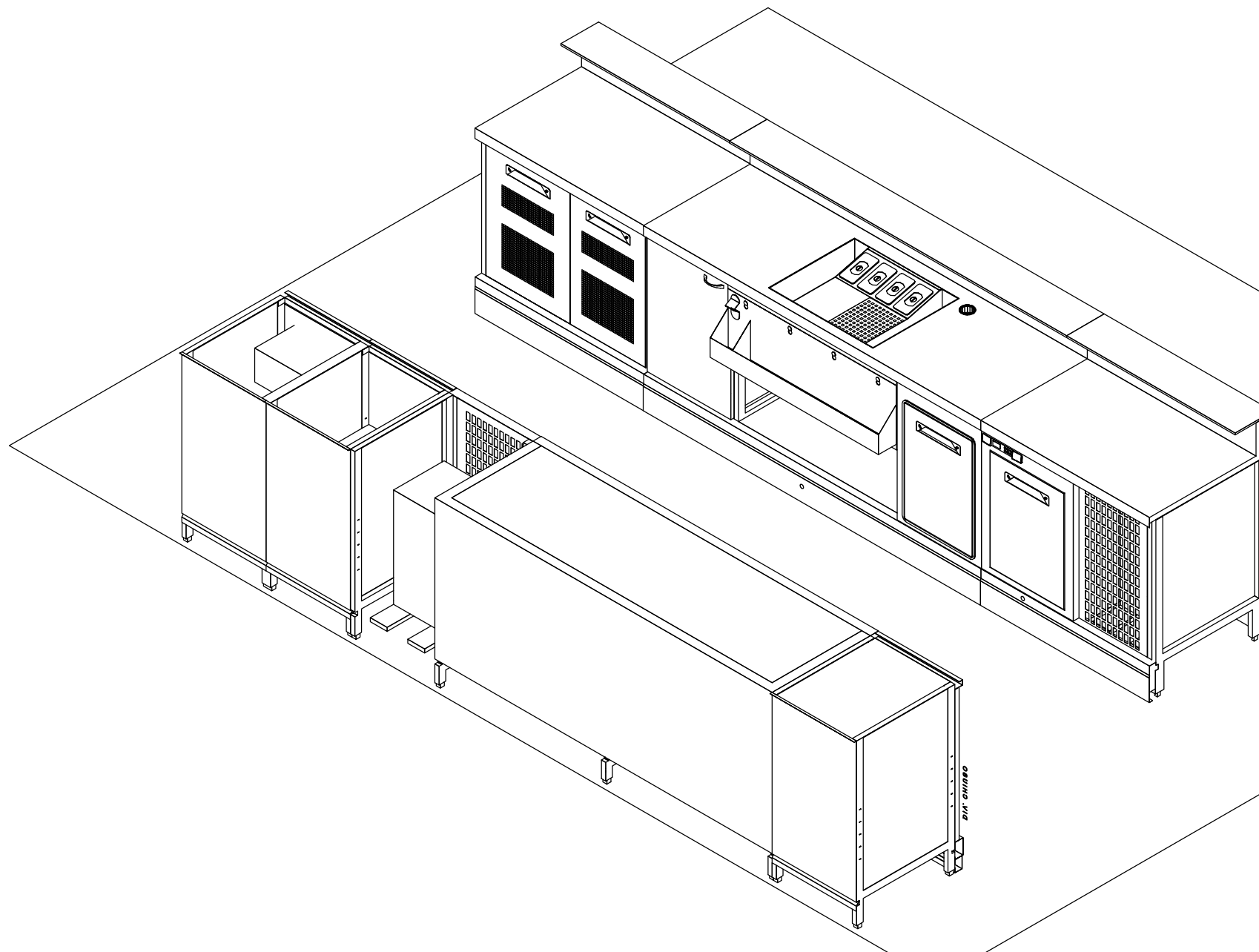
Container discharging and warehousing

Bar covering panels and granit or marble tops

Water supplying and drenage system installatioin

Pipes and electrical wiring

N.ro ordine	Data : 26/06/18
	Rif : HOTEL BATUMI 32L
0000503407	Cliente : BB COMPANY
	Modello : SP



N.ro ordine

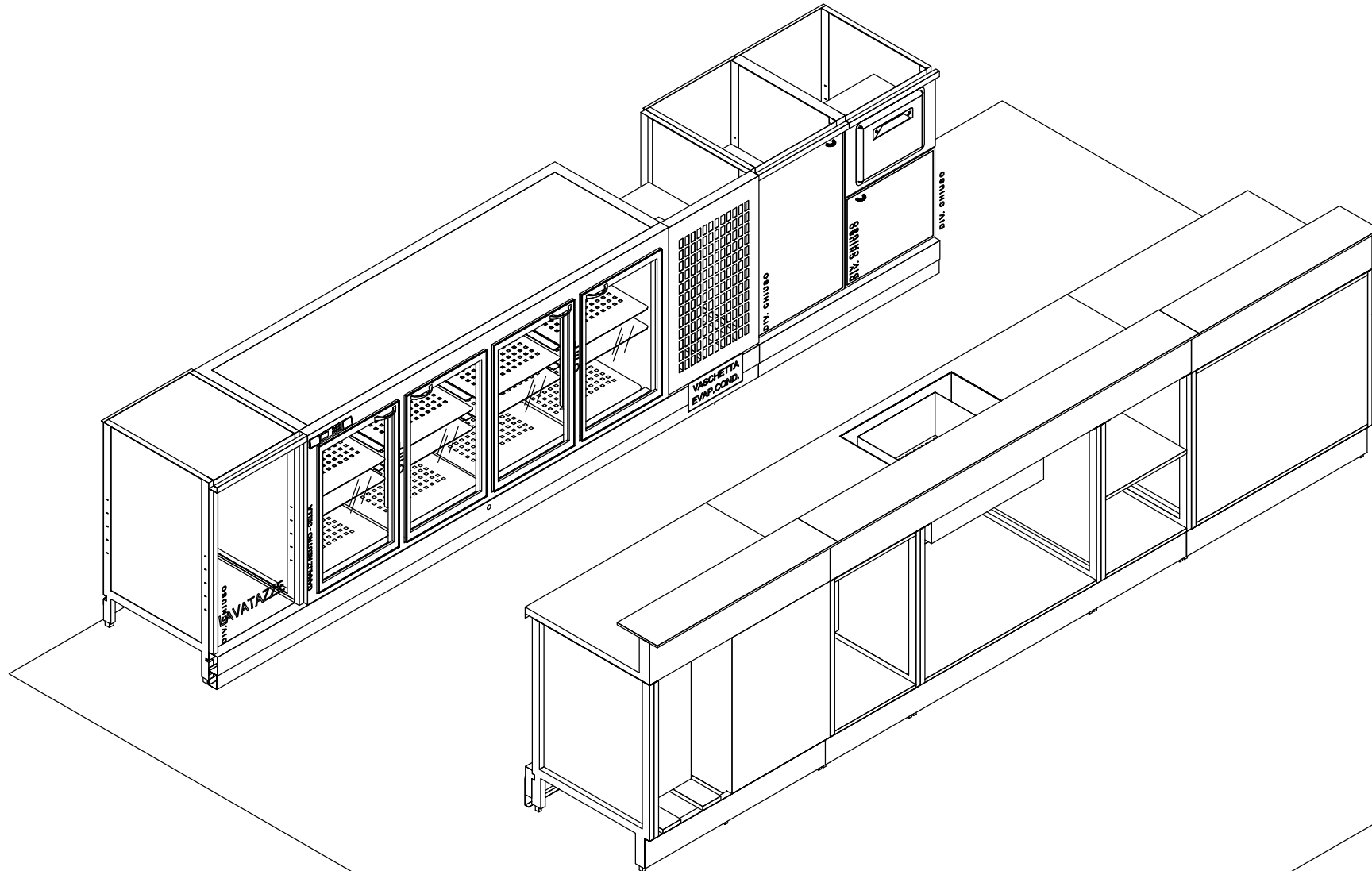
Data : 26/06/18

0000503407

Rif : HOTEL BATUMI 32L

Cliente : BB COMPANY

Modello : SP



N.ro ordine

Data : 26/06/18

0000503407

Rif : HOTEL BATUMI 32L

Cliente : BB COMPANY

Modello : SP

